



AS A257 flush mounted seismic profile provides a multi-directional movement at gaps up to 150 mm. During the seismic based contractions, specially designed pop-up mechanism ascends the cover plate and gets back to origin after activity is over. Cover plate can be made of aluminum, galvanized or stainless steel at different thicknesses depending the load bearing capacity needed. Ideal for places with pedestrian or vehicle traffic with all types of floor finishes.

Application Areas : Indoor & Outdoor / Floor

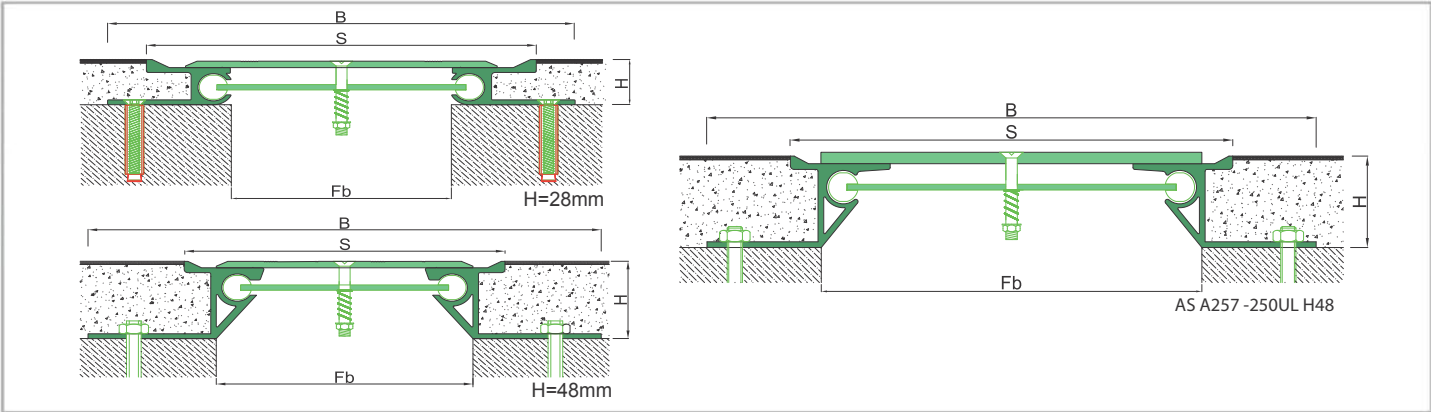
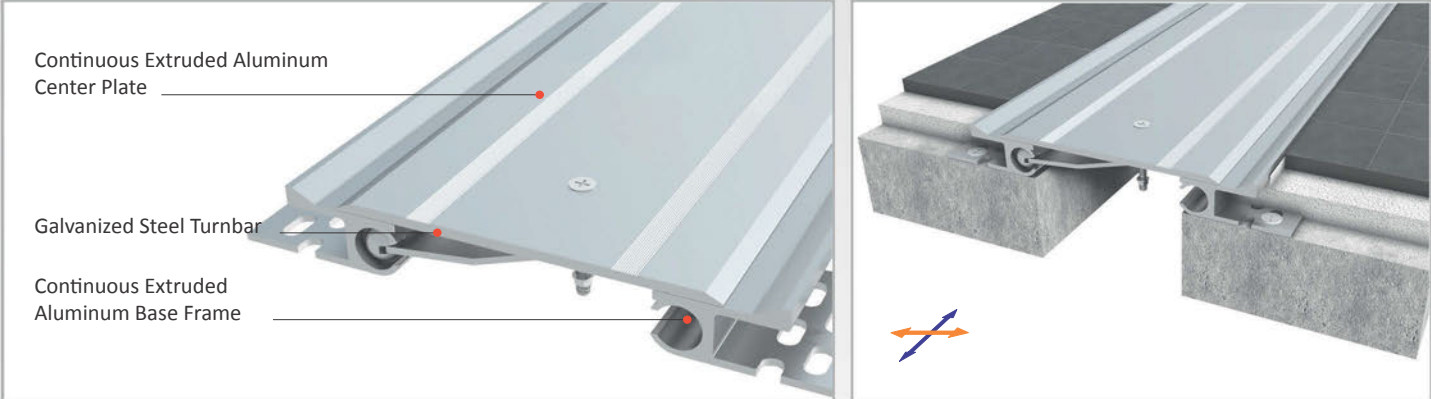
Ideal for : Factories, Warehouses, Car Parks, Airports, Shopping Malls, Residences, Hospitals, Hotels, Commercial & Public Buildings etc.

Material : Anodized Aluminum Cover Plate (Galvanized or Stainless Steel Optional), Mill Finish Aluminum Frame

Aluminum Alloy : 6063 AA-USA / EN AW 6063

Optional Supplies : Fire Barrier, Waterproof EPDM membrane

SEISMIC

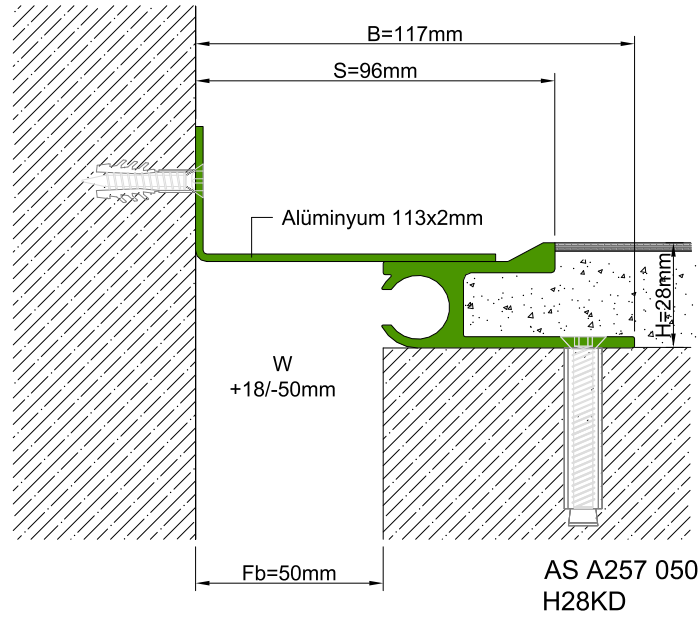
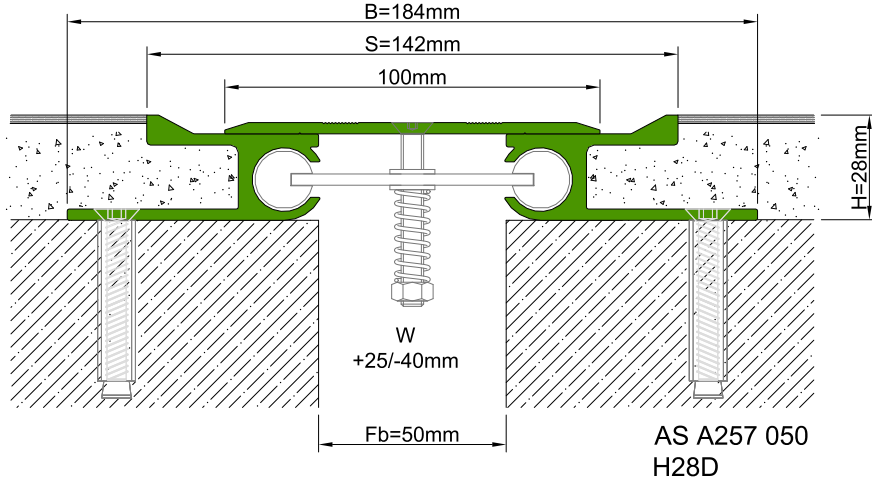


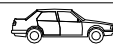
* Visuals are representative and the profile configuration may differ depending on the characteristics requested.

| LOCATION | MODEL | GAP (Fb) mm | HEIGHT (H) MM | OVERALL WIDTH (B) mm | VISIBLE WIDTH (S) mm | MOVEMENT (W) mm | LOAD CAPACITY | STANDARD LENGTH (mt) |
|----------------|----------------|-------------|---------------|----------------------|----------------------|-----------------|---------------|----------------------|
| Floor to Floor | AS A257 -075 | 75 | 28 | 209 | 167 | +30 / -65 | | 3 |
| | AS A257 -100 | 100 | 28 | 234 | 192 | +30 / -90 | | 3 |
| | AS A257 -120 | 120 | 28 | 254 | 212 | +40 / -110 | | 3 |
| | AS A257 -150 | 150 | 28 | 284 | 242 | +40 / -135 | | 3 |
| | AS A257 -050 | 50 | 28 | 184 | 142 | +25 / -40 | | 3 |
| | AS A257 -100 | 100 | 48 | 240 | 135 | +20 / -50 | | 3 |
| | AS A257 -150 | 150 | 48 | 290 | 185 | +20 / -100 | | 3 |
| | AS A257 -200 | 200 | 48 | 340 | 235 | +20 / -145 | | 3 |
| | AS A257 -250UL | 250 | 48 | 370 | 282 | +40 / -145 | | 3 |

Note: Please ask for different sizes





| Profil No Profile Number | AS A257 050 | AS A257 050K |
|---|--|--------------|
| Fb (mm) | 50 | 50 |
| H (mm) yaklaşık approx. | 28 | 28 |
| W± (mm) yaklaşık approx. | +25/-40 | +18/-50 |
| Renk Color | Alüminyum Kapak: Eloksallı, Alüminyum Bağlantı Elemanı: Natürel Aluminum Center Plate: Anodized, Aluminum Base Frame: Natural | |
| Malzeme Material | Alüminyum Aluminum | |
| Standart Uzunluk (m) Standard Length (m) | 3 | |
| Yükleme Kapasitesi Load - Bearing Capacity |  | |